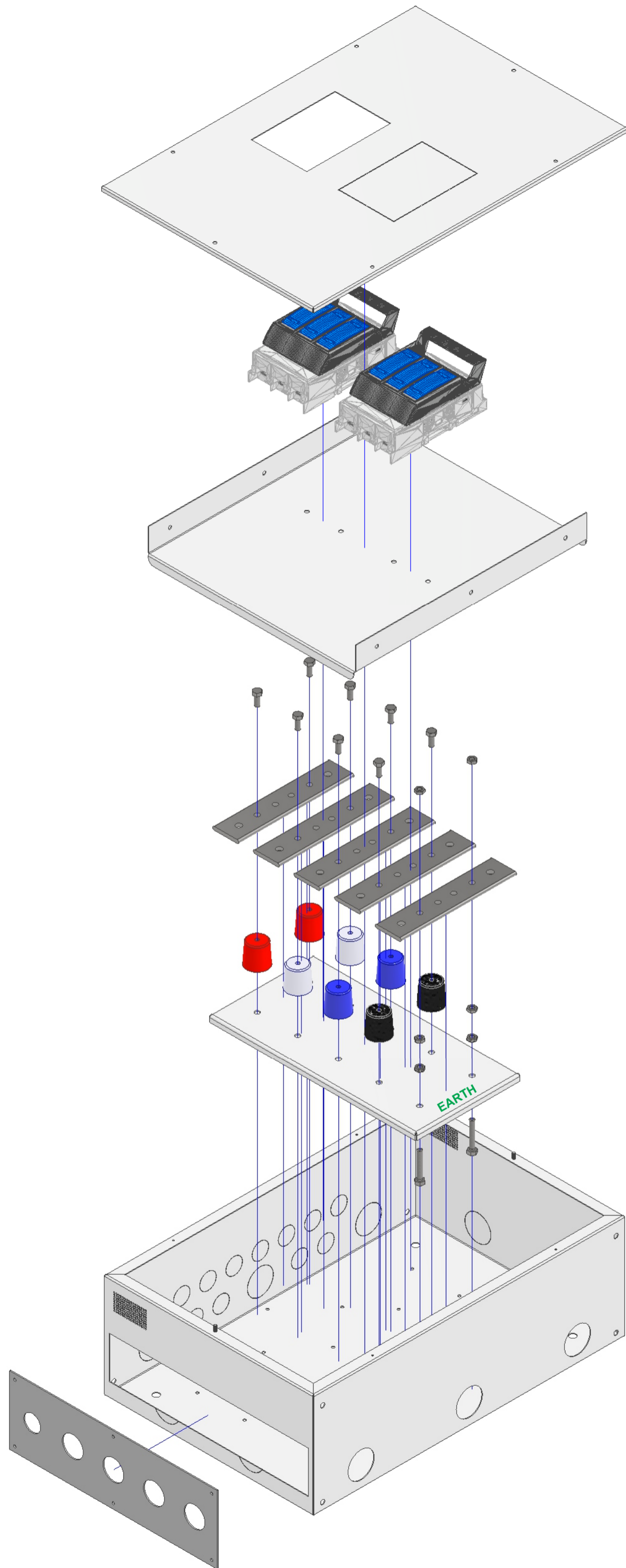


## Typical take-off Box

Rising cable up to 1 set of 150sq mm copper cables

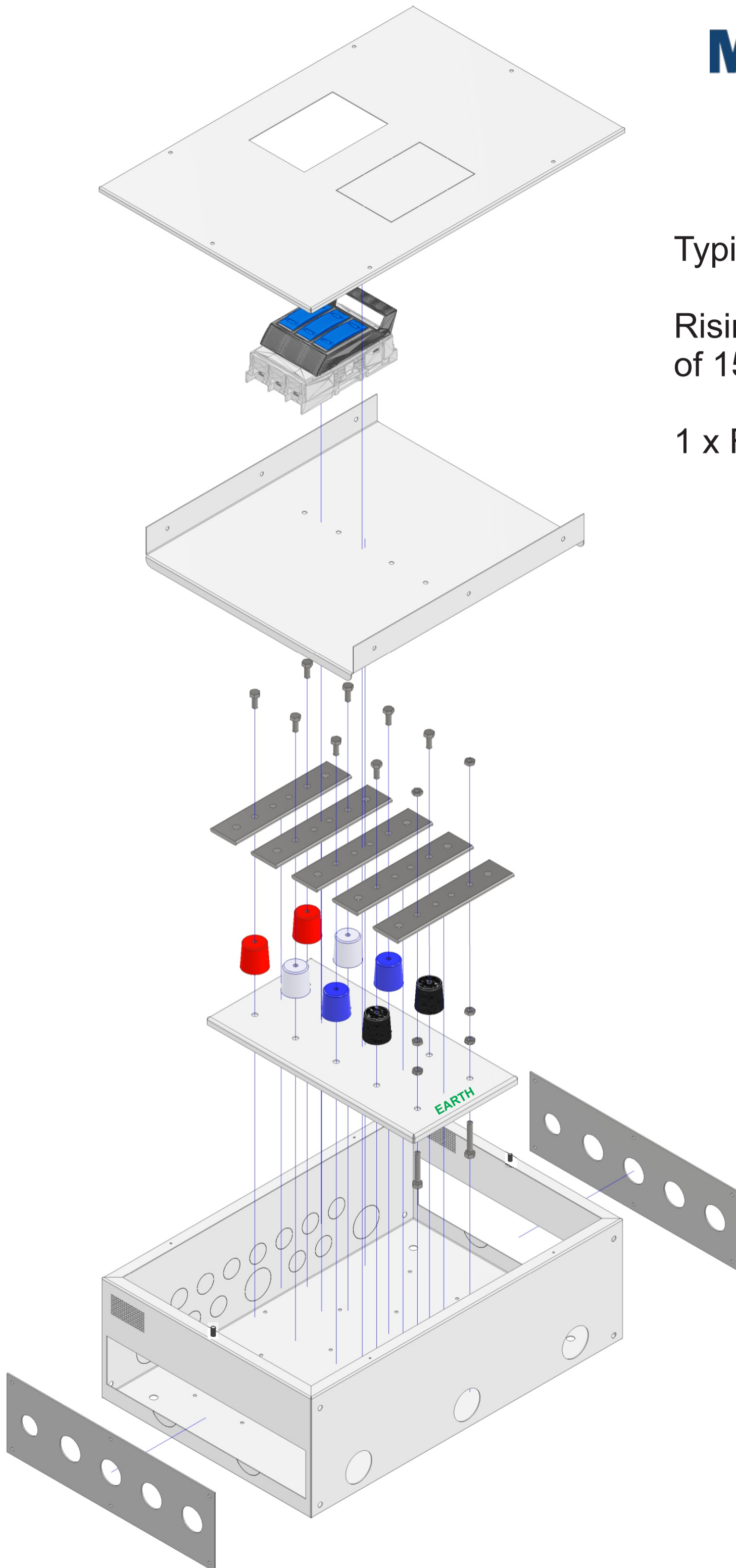
2 x Fuse disconnect switch



Typical end of line  
take-off Box

Rising cable up to 1 set  
of 150sq mm copper cables

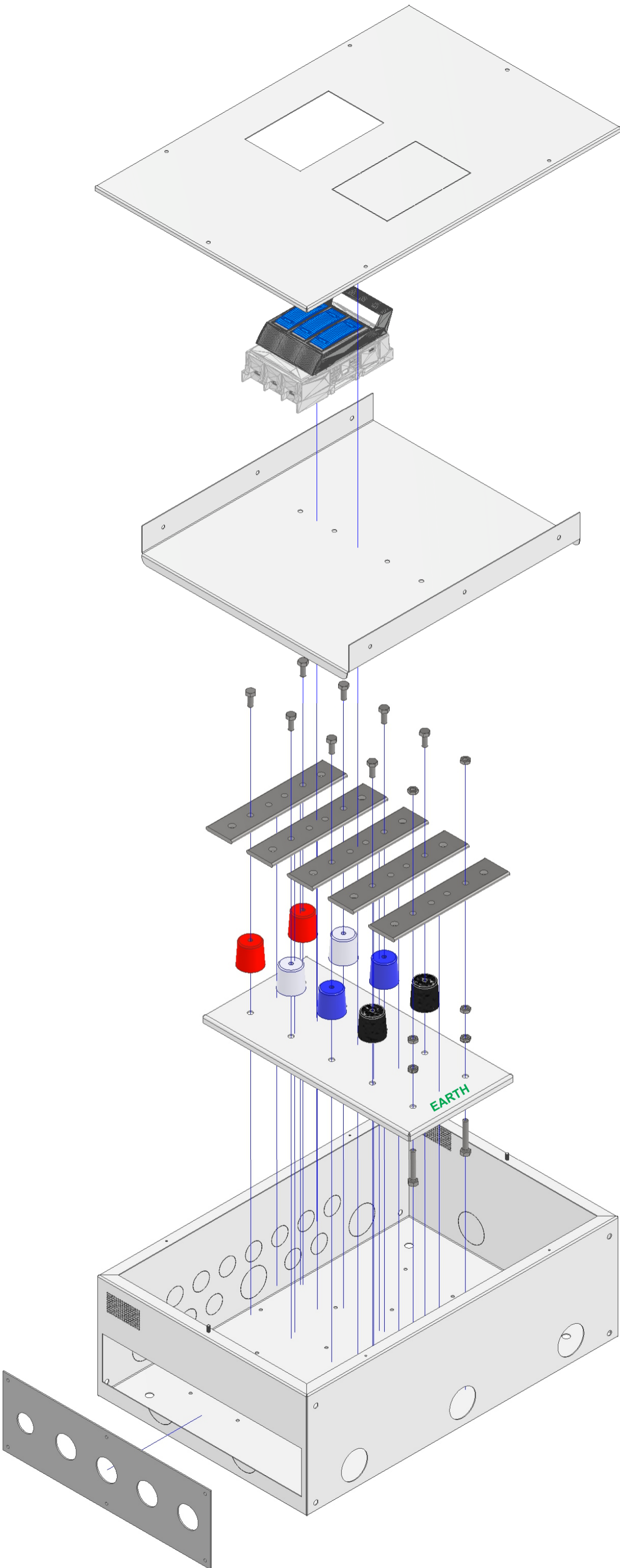
2 x Fuse disconnect switch



## Typical take-off Box

Rising cable up to 1 set of 150sq mm copper cables

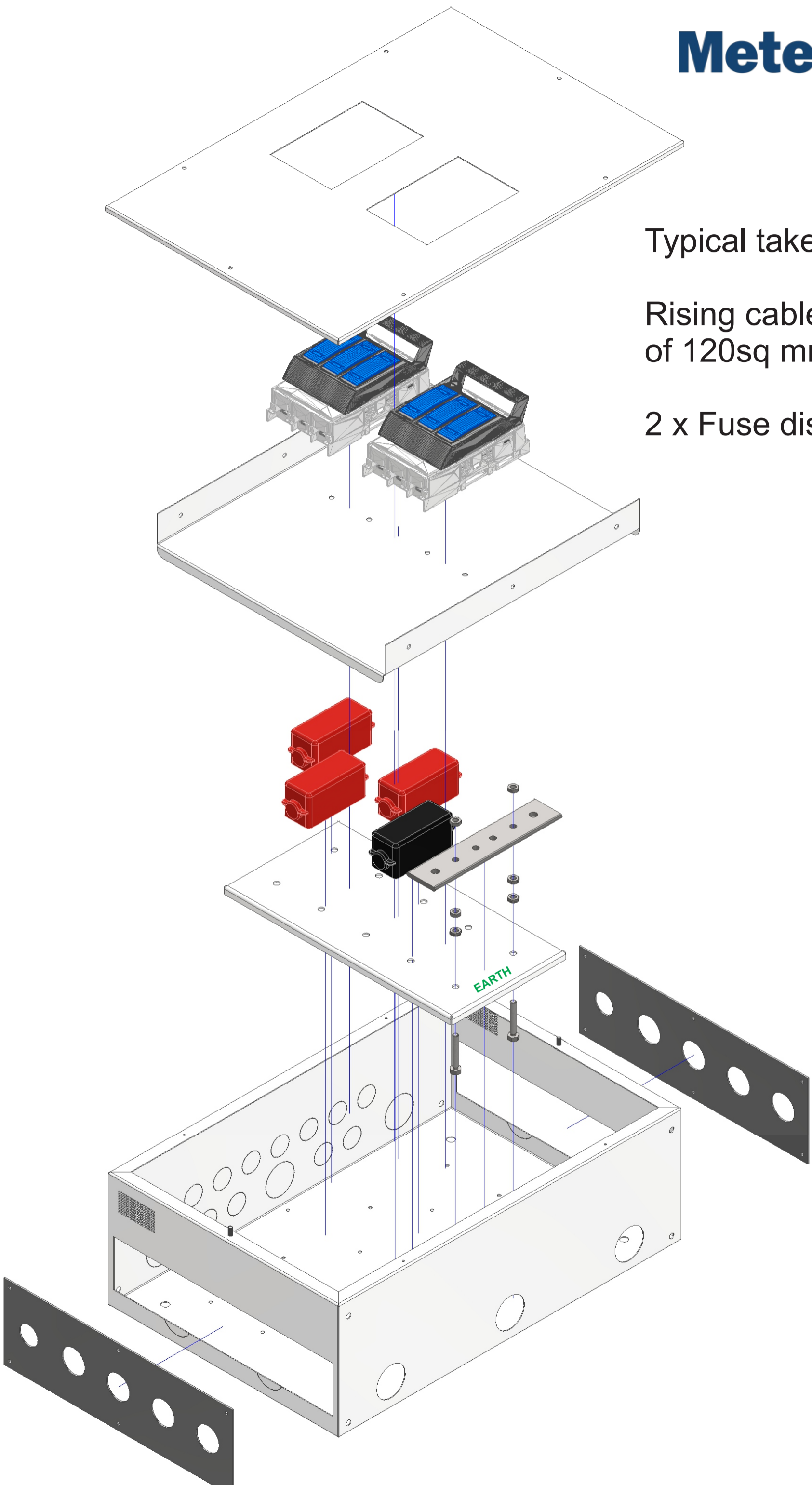
1 x Fuse disconnect switch



Typical end of line  
take-off Box

Rising cable up to 1 set  
of 150sq mm copper cables

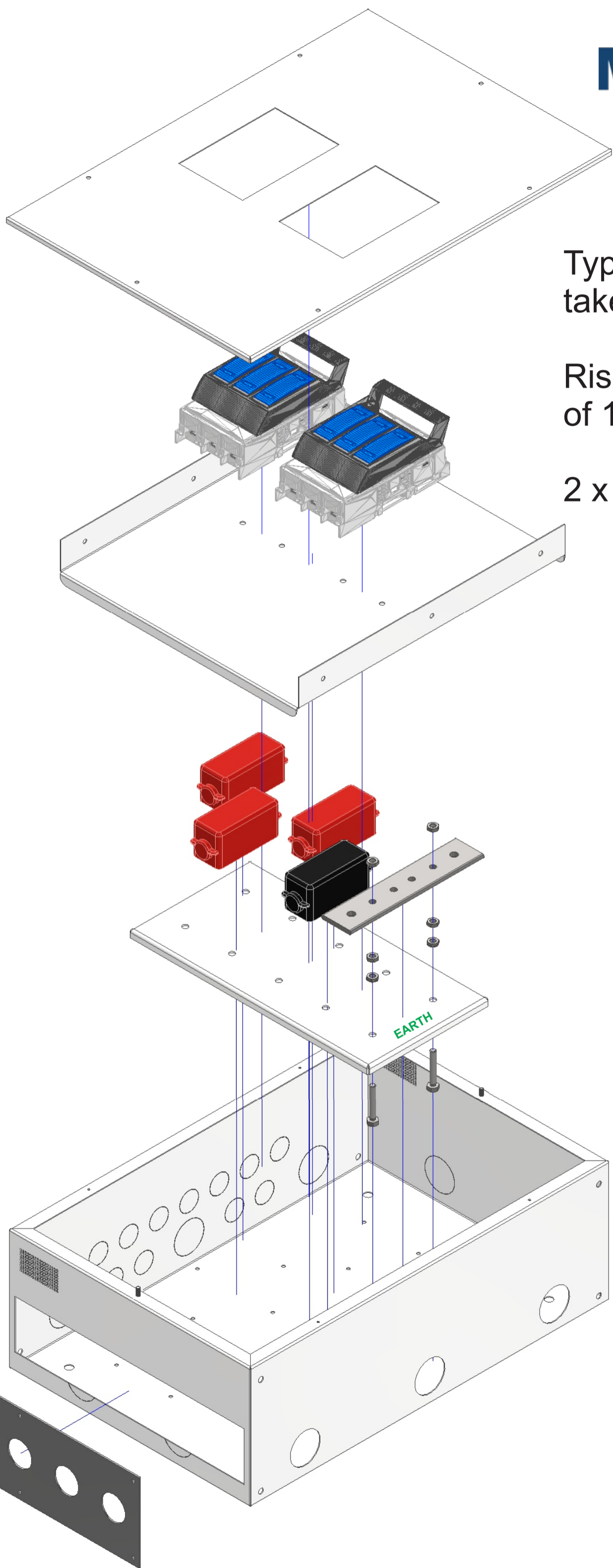
1 x Fuse disconnect switch



## Typical take-off Box

Rising cable up to 1 set of 120sq mm copper cables

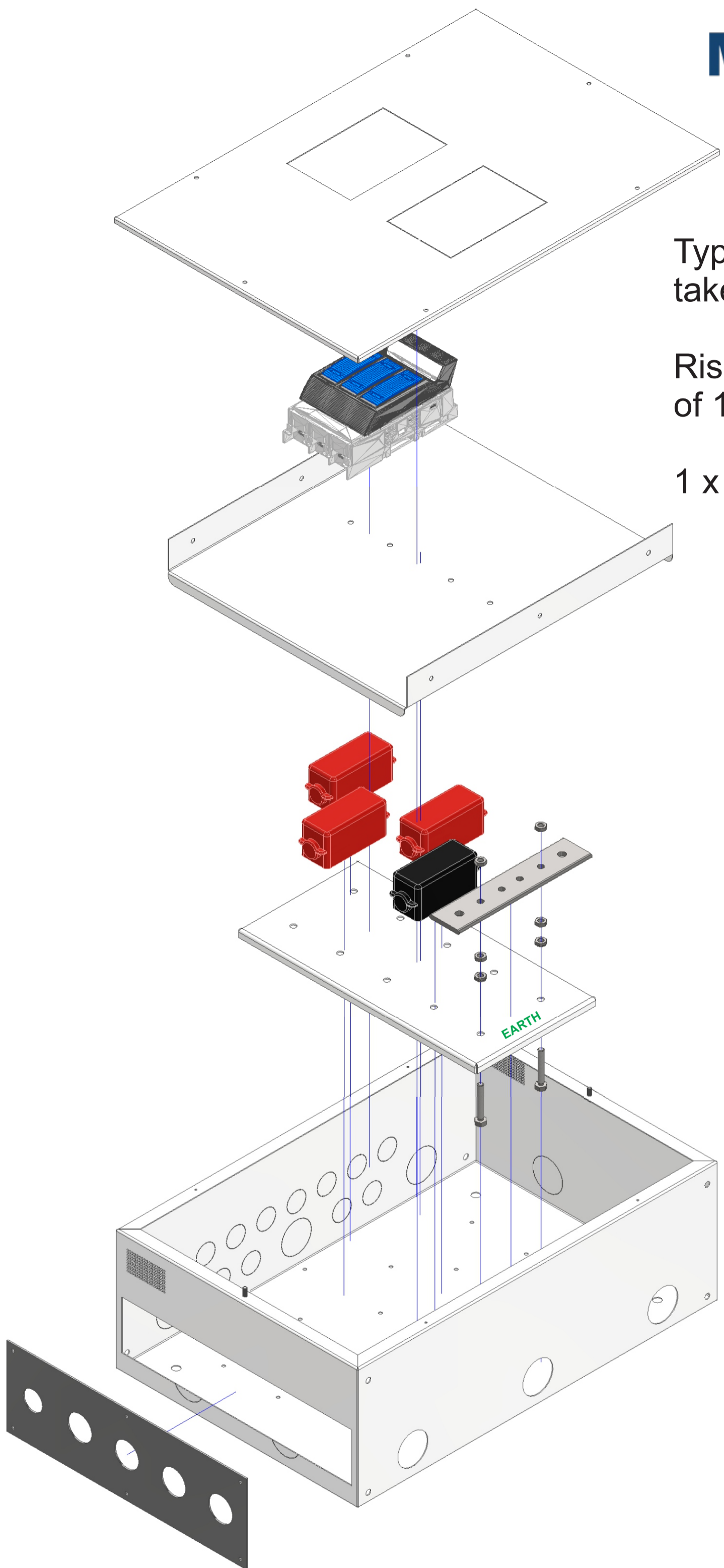
2 x Fuse disconnect switch



Typical end of line  
take-off Box

Rising cable up to 1 set  
of 120sq mm copper cables

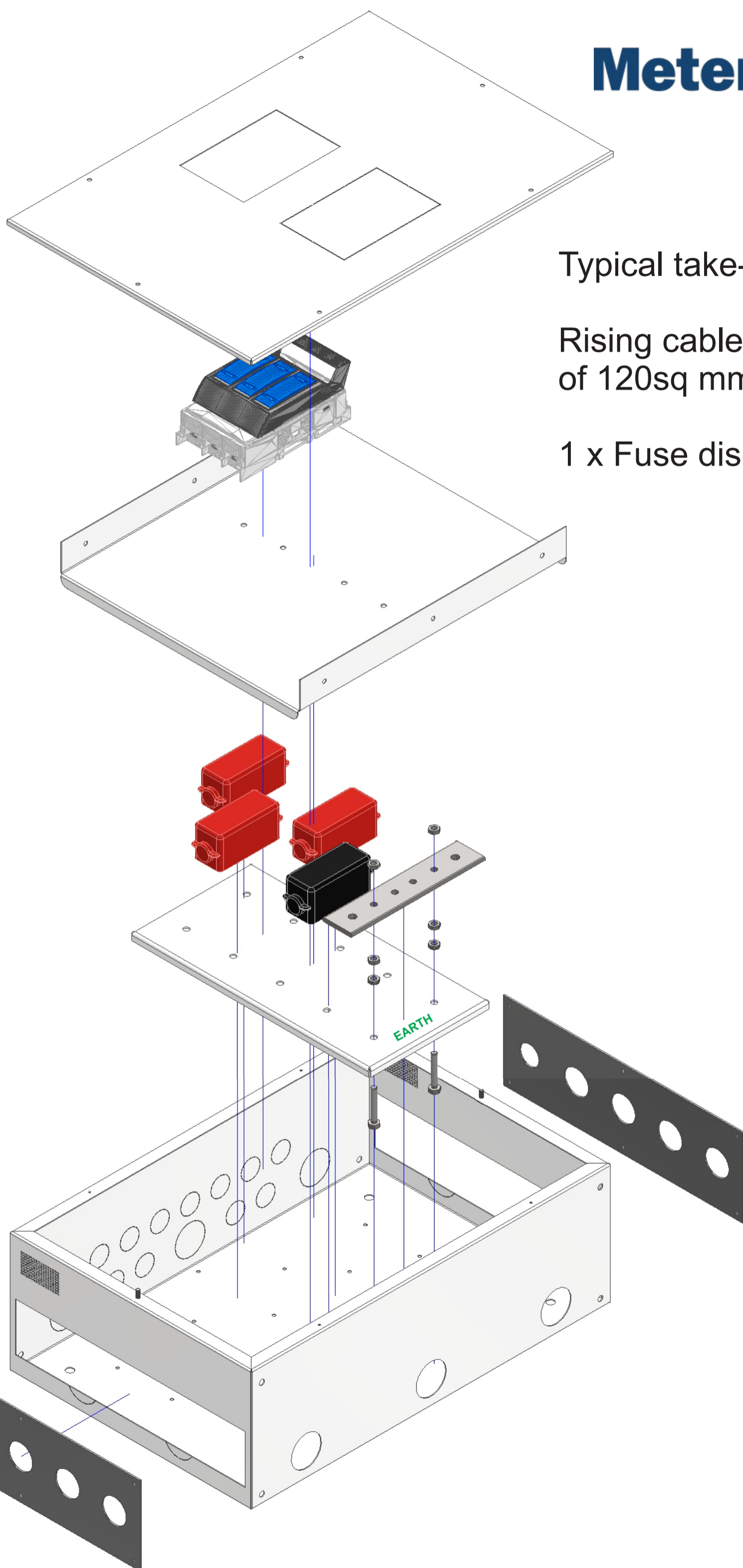
2 x Fuse disconnect switch



Typical end of line  
take-off Box

Rising cable up to 1 set  
of 120sq mm copper cables

1 x Fuse disconnect switch



## Typical take-off Box

Rising cable up to 1 set of 120sq mm copper cables

1 x Fuse disconnect switch